



SAME

SLH 36 > FRUTTETO 3 NATURAL 55 - 65 - 75 - 80.4

TRACTOR CABINS

**LOCHMANN**   
cabin innovation

**SERIES OUTFIT**

- Silentblock bearing.
- Rear and front window can be opened
- Reinforced glass doors removable quickly without any tool
- Plastic-roof with noise insulation
- 2 triangular openings below the rear window for entering the spray tube
- Green-tinted insulation-glazing
- Electric windscreen wiper
- 2 outer rear mirrors; mats
- Colours: frame black, roof grey

**ACCESSORIES**

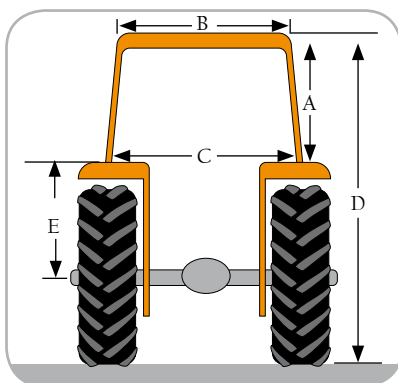
- Venting system with dust filter
- Venting system with dust filter and heating
- Active charcoal filter
- Rapid locking for heating tubes
- Rear window wiper
- Windscreen washer
- Windscreen washer and rear window washer
- Front working light
- Rear working light
- Presetting for rotating beacon removable mounting system
- Rotating beacon completely
- Presetting for car radio
- Stereo car radio
- Telescopic mirrors
- Sun-visor
- Lining of wings, behind and under the seat

**AIR CONDITIONING (only for cabins with venting system)**

- Presetting for air conditioning consisting of: evaporator, switch, thermostat and complete installation
- Air conditioning complete
- Rapid locking for air conditioning tubes



The general conditions of sale can be consulted and downloaded in the “Download” section of our website [www.lochmann.eu](http://www.lochmann.eu)



| TYP OF TRACTOR                      | TYP OF CABIN | A   | B   | C   | D   | HAP | TYRES       | E  |
|-------------------------------------|--------------|-----|-----|-----|-----|-----|-------------|----|
| Frutteto 3 Natural<br>55-65-75-80.4 | SLH 36       | 100 | 111 | 108 | 221 | 215 | 380/70 R 20 | 66 |
|                                     |              | 100 | 111 | 108 | 224 | 218 | 360/70 R 24 | 72 |
|                                     |              | 100 | 111 | 108 | 230 | 224 | 380/70 R 28 | 72 |

• All the measures in cm

CAUTION: the measure H AP shows the maximum height with the rollbar upright

IMPORTANT: for a right assemblage , the distance between the wheel-centre and the upper edge of the wings must be told in the order-form (see letter E)