



SAME

SLH 37 > FRUTTETO CLASSIC 80 - 90 - 100 - 80.4 - 90.4 - 105

TRACTOR CABINS

LOCHMANN 
cabin innovation

SLH 37

FRUTTETO CLASSIC 80 - 90 - 100 - 80.4 - 90.4 - 105

E= 65

E= 72

SERIES OUTFIT

- Silentblock bearing
- Sound insulation under the dashboard
- Mats left and right
- Rear and front window can be opened
- Reinforced glass doors removable quickly without any tool
- Plastic-roof with noise insulation
- 2 triangular openings below the rear window for entering the spray tube
- Green-tinted insulation-glazing
- Electric windscreen wiper and washer
- 2 outer rear mirrors
- Colours: frame black, roof grey

ACCESSORIES

- Venting system with dust filter and heating
- Active charcoal filter
- Rapid locking for heating tubes
- Electric rear window wiper and washer
- LED Front working light
- LED Rear working light
- Presetting for rotating beacon removable mounting system
- Rotating beacon completely
- Presetting for car radio
- Stereo car radio
- Telescopic mirrors
- Sun-visor
- Lining of wings, behind and under the seat

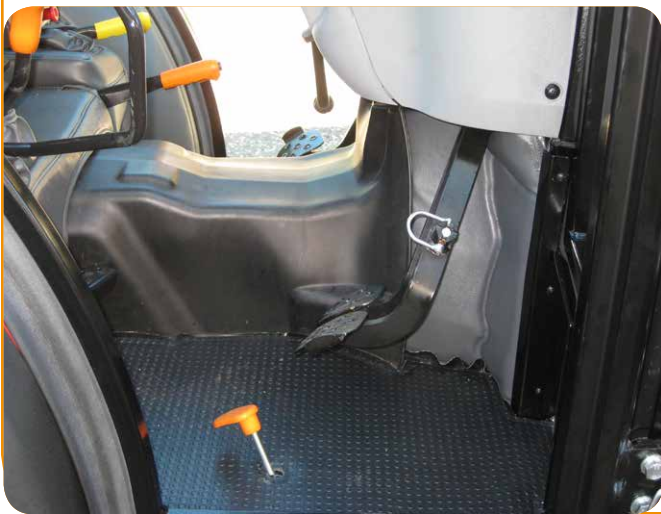
AIR CONDITIONING (only for cabins with venting system)

- Air conditioning complete
- Rapid locking for air conditioning tubes

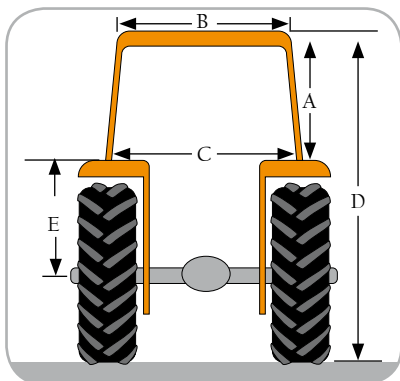


Sound insulation under the dashboard, mats left and right (SERIES OUTFIT)

Lining of wings, behind and under the seat (ACCESSORIES)



The general conditions of sale can be consulted and downloaded in the “Download” section of our website www.lochmann.eu



TYP OF TRACTOR	TYP OF CABIN	A	B	C	D	HAP	TYRES	E
Frutteto Classic	SLH 37	99	99	95	219	242	360/70 R 24	65
		99	99	95	225	248	380/70 R 28	72

• All the measures in cm

CAUTION: the measure H AP shows the maximum height with the rollbar upright

IMPORTANT: for a right assemblage, the distance between the wheel-centre and the upper edge of the wings must be told in the order-form (see letter E)