



SAME

SLH 38› FRUTTETO 80 - 90 - 90.4 - 100 - 105 - 115

SLH 38S› FRUTTETO S 80 - 90 - 90.4 - 100 - 105 - 115

TRACTOR CABINS

**LOCHMANN**   
cabin innovation

SLH 38	FRUTTETO 80 - 90 - 90.4 - 100 - 105 - 115
SLH 38S	FRUTTETO S 80 - 90 - 90.4 - 100 - 105 - 115

### SERIES OUTFIT

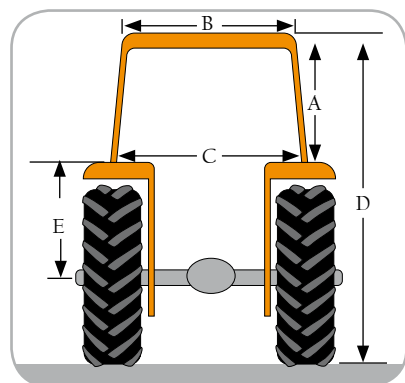
- Silentblock bearing
- Mats left and right
- Rear and front window can be opened
- Reinforced glass doors removable quickly without any tool
- Plastic-roof with noise insulation
- 2 triangular openings below the rear window for entering the spray tube
- Green-tinted insulation-glazing
- Electric windscreen wiper and washer
- 2 outer rear mirrors
- Colours: frame black, roof grey

### ACCESSORIES

- Venting system with dust filter and heating
- Active charcoal filter
- Rapid locking for heating tubes
- Electric rear window wiper and washer
- LED Front working light
- LED Rear working light
- Presetting for rotating beacon removable mounting system
- Rotating beacon completely
- Presetting for car radio
- Stereo car radio
- Telescopic mirrors
- Sun-visor
- Lining of wings, behind and under the seat

### AIR CONDITIONING (only for cabins with venting system)

- Air conditioning complete
- Rapid locking for air conditioning tubes



TYP OF TRACTOR	TYP OF CABIN	A	B	C	D	HAP	TYRES	E
FRUTTETO	SLH38	87,5	99	95	226,5	-	420/70 R24	76
		94,5	99	95	221	-	380/70 R24	69
FRUTTETO S	SLH38S	99	99	95	220	237	360/70 R24	64

• All the measures in cm

**CAUTION:** the measure H AP shows the maximum height with the rollbar upright

**IMPORTANT:** for a right assemblage, the distance between the wheel-centre and the upper edge of the wings must be told in the order-form (see letter E)

The general conditions of sale can be consulted and downloaded in the "Download" section of our website [www.lochmann.eu](http://www.lochmann.eu)